



13 12 11 10 9 8 7 6 3191 4 3 2 1

PLUG		RECEPTACLE	
PART NO.	ENG. NO.	PART NO.	ENG. NO.
19-09-2068	3191-6P	19-09-1069	3191-6R1
19-09-2069	3191-6P1	19-09-1066	3191-6R1-201
19-09-2067	3191-6P-201	19-09-6060	3191-6R IRD
19-09-2066	3191-6P1-201	19-09-6069	3191-6R IBK
19-09-7069	3191-6PRD		
19-09-7068	3191-6PBK		

**LEGEND:**

3191-6\*\*\*\*-\*

CIRCUIT SIZE

P = PLUG

R = RECEPTACLE

EARS: BLANK = WITH PREBENT EARS (PLUG ONLY)

I = WITHOUT EARS

COLOR: BLANK = NATURAL COLOR

AM=AMBER BK=BLACK BU=BLUE

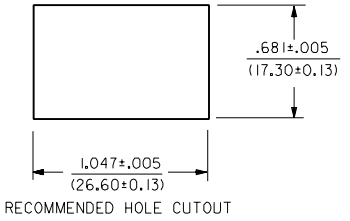
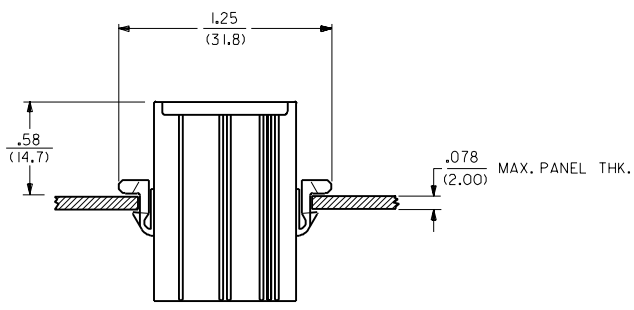
BN=BROWN GY=GRAY GN=GREEN

OR=ORANGE RD=RED YW=YELLOW

COLORS AVAILABLE ONLY IN 94V-2 MATERIAL

MATERIAL: BLANK=NYLON TYPE 6/6, 94V-2

201=NYLON TYPE 6/6, 94V-0



**MOUNTING HOLE DETAIL**

3191

J  
I  
H  
G  
F  
E  
D  
C  
B  
A

J  
I  
H  
G  
F  
E  
D  
C  
B  
A

DIMENSIONS SHOWN (METRIC) INCH		UNLESS OTHERWISE SPECIFIED TOLERANCES: ANGLES .015 ± DCP		REVISIONS		REVISIONS		REVISIONS		REVISIONS		REVISIONS		REVISIONS		REVISIONS		REVISIONS		REVISIONS	
3 PLACE	± .010	---		M	SEE SHEET 1																
2 PLACE	± .014	± 0.25		L	SEE SHT. 1																
1 PLACE	---	± 0.36		K	SEE SHT. 1																
DRAFT WHERE APPLICABLE MUST REMAIN WITHIN DIMENSIONS				J	SEE SHT. 1																
DRWG. BY: JUS		CHK'D. BY: RW		APP'D. BY: RAS		SCALE: --:--		FILE NAME: S31916X3.DGN		MOLEX INCORPORATED		SHEET NO. 3		DATE 1/22/88		PART NO. SD-3191-6*		DRWG. NO.		DIV. CP	

TITLE: .093/(2.36) HOUSINGS PLUG AND RECEPTACLE 6 CKT., .264/(6.70) CTRS.

SEE CHART

13 12 11 10 9 8 7 6 5 4 3 2 1